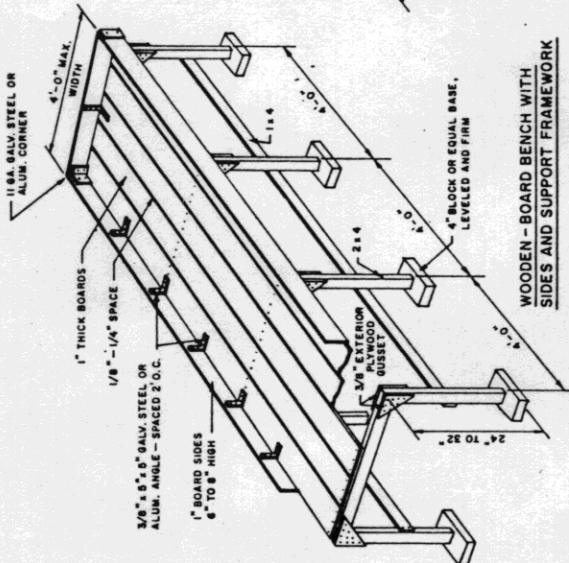
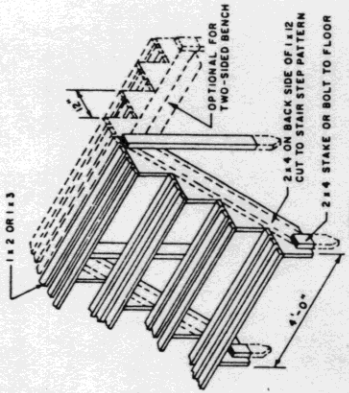


FLAT ASBESTOS SHEET WITH CEMENT BLOCK PIERS AND WOODEN RAIL SUPPORTS



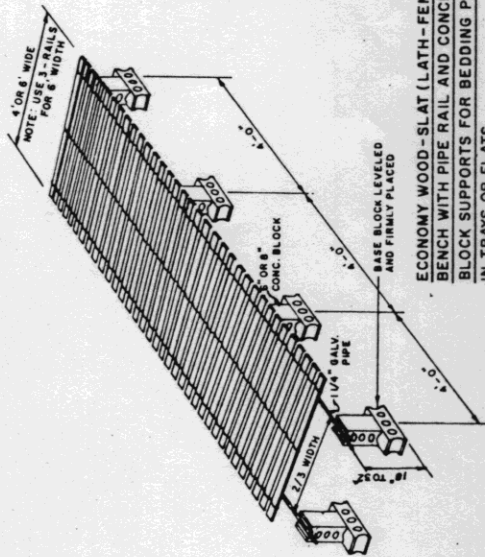
WOODEN - BOARD BENCH WITH SIDES AND SUPPORT FRAMEWORK

NOTE: FOR ALL LUMBER, USE DECAY RESISTANT SPECIES LIKE REDWOOD, OR PINE AND FIR, PRESURE TREATED WITH A WATER-BORNE SALT-TYPE PRESERVATIVE, FOR LONG LIFE. METAL ANGLES HOLDING SIDEBARDS MAY BE ON OUTSIDE SURFACE, IF PREFERRED.

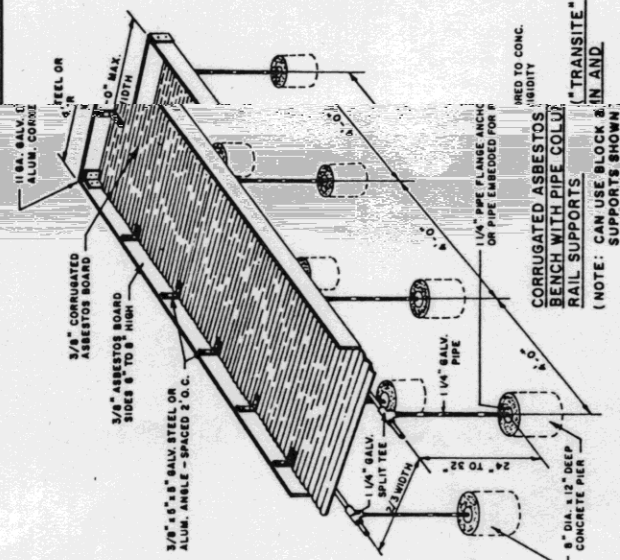


WOODEN STEP - BENCH

NOTE: HEIGHT AND NUMBER OF STEPS OPTIONAL.

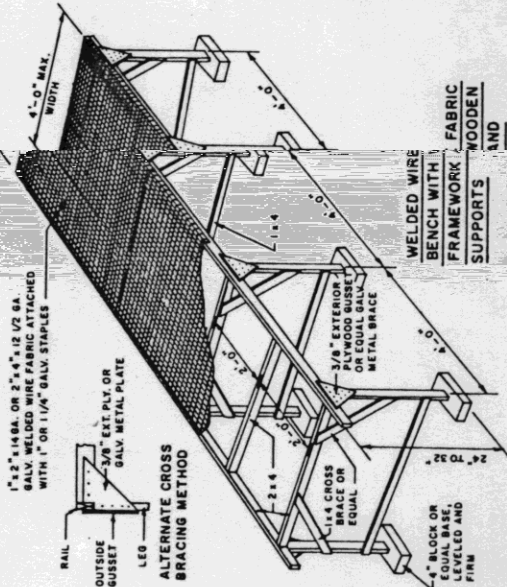


ECONOMY WOOD-SLAT (LATH-FENCE) BENCH WITH PIPE RAIL AND CONCRETE BLOCK SUPPORTS FOR BEDDING PLANTS IN TRAYS OR FLATS



CORRUGATED ASBESTOS BENCH WITH PIPE COLUMN RAIL SUPPORTS (NOTE: CAN USE BLOCK AND TRANSITE*)

MENTION OF A TRADE NAME DOES NOT CONSTITUTE A GUARANTEE OR WARRANTY OF THE PRODUCT BY THE U.S. DEPARTMENT OF AGRICULTURE OR AN ENDORSEMENT BY THE DEPARTMENT OVER OTHER PRODUCTS NOT MENTIONED.



ALTERNATE CROSS BRACING METHOD

WELDED WIRE BENCH WITH FRAMEWORK FABRIC SUPPORTS WOODEN AND

COOPERATIVE EXTENSION WORK IN AGRICULTURE AND HOME ECONOMICS DEPARTMENT OF AGRICULTURAL ENGINEERING UNIVERSITY OF MARYLAND AND UNITED STATES DEPARTMENT OF AGRICULTURE COOPERATING

GREENHOUSE BENCHES

K.Y. '73 EX. 6163 SHEET 1 OF 1

BASED ON: UNIV. OF KENTUCKY PLAN NO. 11.771-10